

# SureCross Interface Relay Box IB6RP

18 to 26V dc inputs with isolated relay output

## Features



- Easy-to-use interface box to electrically isolate sensor outputs
- Accepts up to 6 discrete PNP sourcing outputs
- Six independent SPST relay outputs
- Six yellow indicator LEDs signal when the relay is energized



### **WARNING: Not To Be Used for Personnel Protection**

Never use this product as a sensing device for personnel protection. Doing so could lead to serious injury or death. This product does NOT include the self-checking redundant circuitry necessary to allow its use in personnel safety applications. A sensor failure or malfunction can cause either an energized or de-energized sensor output condition.

## Specifications

### **Input Configuration**

6 PNP sourcing inputs

### **Input Voltage/Current**

18 to 26V dc, 25 mA each

### **Output Configuration**

6 relays, single pole single throw (25 millisecond response time)

### **Relay Output Rating**

Maximum Switch Voltage: 130V ac or 30V dc

Switching Current: 0.1 to 5.0 amps

Mechanical Life: 10 million operations

Electrical Relay Life at Maximum Load: 100,000 operations

### **Environmental Rating**

IP55

### **Connectors**

Inputs/outputs terminal block wire gauge 12 to 28 AWG

### **Output Cable Gland**

Jacket diameter: 5 to 9 mm

### **Operating Temperature**

-20° to 50°C

### **Construction**

Molded re-inforced thermoplastic polyester housing with polycarbonate cover

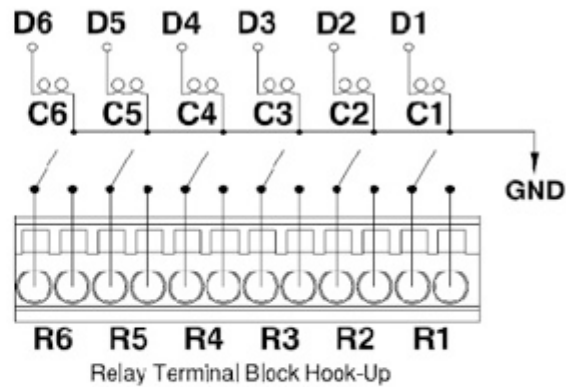
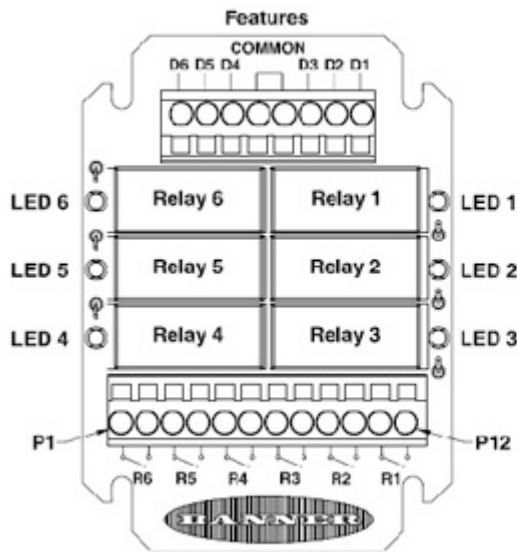
### **Indicators**

6 yellow LEDs to indicate when respective relay is energized

### **Certifications**

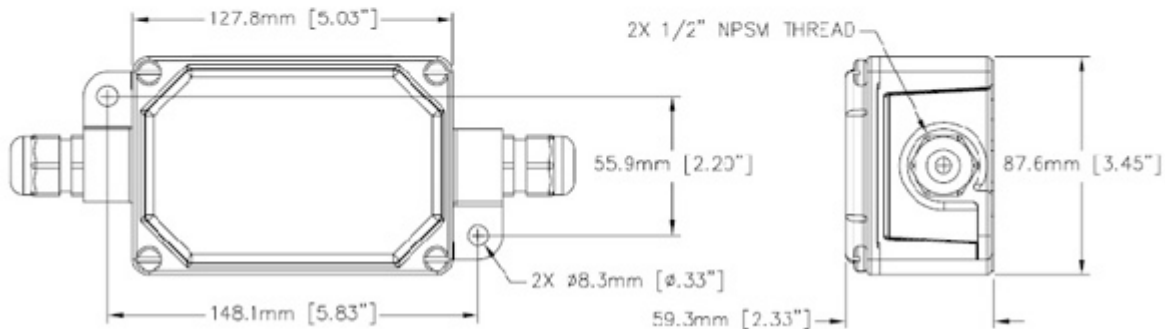
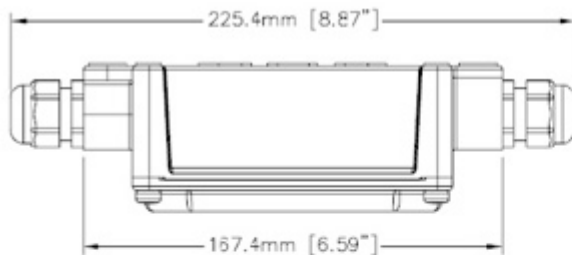
Pending

## Wiring and Dimensions



**Nomenclature:**

- D1: Discrete Input 1
- C1: Coil for Relay 1
- R1: Relay 1
- P1: Pin 1



## Warnings

The manufacturer does not take responsibility for the violation of any warning listed in this document.

**Make no modifications to this product.** Any modifications to this product not expressly approved by Banner Engineering could void the user's authority to operate the product. Contact the Factory for more information.

**All specifications published in this document are subject to change.** Banner reserves the right to modify the specifications of products without notice. Banner Engineering reserves the right to update or change documentation at any time. For the most recent version of any documentation, refer to our website: [www.bannerengineering.com](http://www.bannerengineering.com). © 2006-2010 Banner Engineering Corp. All rights reserved.

## Banner Engineering Corp Limited Warranty

Banner Engineering Corp. warrants its products to be free from defects in material and workmanship for one year following the date of shipment. Banner Engineering Corp. will repair or replace, free of charge, any product of its manufacture which, at the time it is returned

to the factory, is found to have been defective during the warranty period. This warranty does not cover damage or liability for misuse, abuse, or the improper application or installation of the Banner product.

**THIS LIMITED WARRANTY IS EXCLUSIVE AND IN LIEU OF ALL OTHER WARRANTIES WHETHER EXPRESS OR IMPLIED (INCLUDING, WITHOUT LIMITATION, ANY WARRANTY OF MERCHANTABILITY OR FITNESS FOR A PARTICULAR PURPOSE), AND WHETHER ARISING UNDER COURSE OF PERFORMANCE, COURSE OF DEALING OR TRADE USAGE.**

This Warranty is exclusive and limited to repair or, at the discretion of Banner Engineering Corp., replacement. **IN NO EVENT SHALL BANNER ENGINEERING CORP. BE LIABLE TO BUYER OR ANY OTHER PERSON OR ENTITY FOR ANY EXTRA COSTS, EXPENSES, LOSSES, LOSS OF PROFITS, OR ANY INCIDENTAL, CONSEQUENTIAL OR SPECIAL DAMAGES RESULTING FROM ANY PRODUCT DEFECT OR FROM THE USE OR INABILITY TO USE THE PRODUCT, WHETHER ARISING IN CONTRACT OR WARRANTY, STATUTE, TORT, STRICT LIABILITY, NEGLIGENCE, OR OTHERWISE.**

Banner Engineering Corp. reserves the right to change, modify or improve the design of the product without assuming any obligations or liabilities relating to any product previously manufactured by Banner Engineering Corp.

## Contact Us

For more information: Contact your local Banner representative or Banner Corporate Offices around the world.

### Banner Corporate Headquarters

**Banner Engineering Corp.**  
9714 Tenth Ave. North  
Mpls., MN 55441  
Tel: 763-544-3164  
[www.bannerengineering.com](http://www.bannerengineering.com)  
[sensors@bannerengineering.com](mailto:sensors@bannerengineering.com)

### Asia — China

**Banner Engineering China**  
Shanghai Rep Office  
Rm. G/H/I, 28th Flr.  
Cross Region Plaza  
No. 899, Lingling Road  
Shanghai 200030 CHINA  
Tel: 86-21-54894500, Fax:  
86-21-54894511  
[www.bannerengineering.com.cn](http://www.bannerengineering.com.cn)  
[sensors@bannerengineering.com.cn](mailto:sensors@bannerengineering.com.cn)

### Europe

**Banner Engineering Europe**  
Park Lane  
Culliganlaan 2F  
Diegem B-1831  
BELGIUM  
Tel: 32-2 456 07 80, Fax:  
32-2 456 07 89  
[www.bannereurope.com](http://www.bannereurope.com)  
[mail@bannereurope.com](mailto:mail@bannereurope.com)

### Asia — Taiwan

**Banner Engineering Taiwan**  
8F-2, No. 308  
Section 1, Neihu Road  
Taipei 114  
Tel: 886-2-8751-9966, Fax:  
886-2-8751-2966  
[www.bannerengineering.com.tw](http://www.bannerengineering.com.tw)  
[info@bannerengineering.com.tw](mailto:info@bannerengineering.com.tw)

### Latin America

Contact Banner Engineering Corp. (US) or e-mail:  
**Mexico:** [mexico@bannerengineering.com](mailto:mexico@bannerengineering.com)  
**Brazil:** [brasil@bannerengineering.com](mailto:brasil@bannerengineering.com)

### Asia — Japan

**Banner Engineering Japan**  
Cent-Urban Building 305  
3-23-15, Nishi-Nakajima  
Yodogawa-Ku, Osaka  
532-0011 JAPAN  
Tel: 81-6-6309-0411, Fax:  
81-6-6309-0416  
[www.bannerengineering.co.jp](http://www.bannerengineering.co.jp)  
[mail@bannerengineering.co.jp](mailto:mail@bannerengineering.co.jp)

### Asia — India

**Banner Engineering India**  
Pune Head Quarters  
Office No. 1001  
Sai Capital Opp. ICC  
Senapati Bapat Road  
Pune 411016 INDIA  
Tel: 91-20-66405624, Fax:  
91-20-66405623  
[www.bannerengineering.co.in](http://www.bannerengineering.co.in)  
[india@bannerengineering.com](mailto:india@bannerengineering.com)