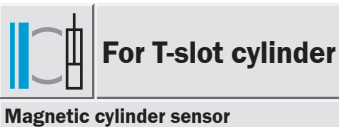
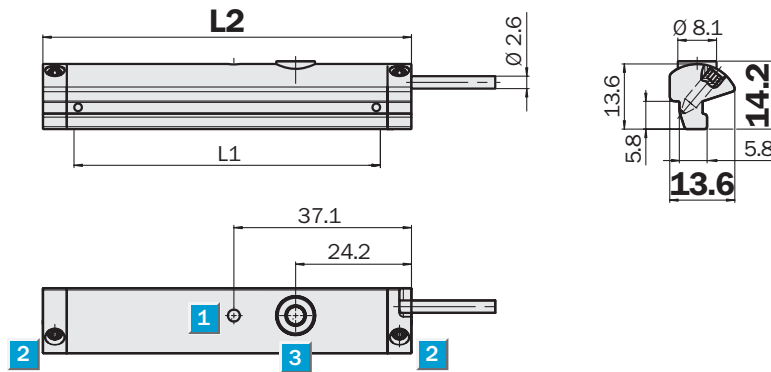


MPS Magnetic Position Sensor



- Different measuring ranges up to 256 mm
- Electrical setting of measuring ranges (zero point/end point)
- Minimum blind zones
- Drop-in mounting of sensors is possible
- Extremely compact housing design
- Save mounting by two mounting screws

Dimensional drawing

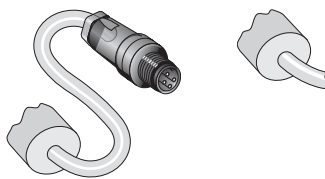


- 1 Status indicator
- 2 Mounting screw SW1.5
- 3 Teach button

Measuring range L1 [mm]	Total length L2 [mm]
32	45
64	77
96	109
128	141
160	173
192	205
224	237
256	269

Connection types

MPS-***TSTPO MPS-***TSTUO



4-pin, M8	2 m, PUR

Technical data		MPS-		032	032	064	064	096	096	128	128	160	160	192	192	224	224	256	256
		TSTPO	TSTUO	TSTPO	TSTUO	TSTPO	TSTUO	TSTPO	TSTUO	TSTPO	TSTUO	TSTPO	TSTUO	TSTPO	TSTUO	TSTPO	TSTUO	TSTPO	TSTUO
Measuring range ± 1 mm	32 mm																		
	64 mm																		
	96 mm																		
	128 mm																		
	160 mm																		
	192 mm																		
	224 mm																		
	256 mm																		
Electrical configuration	4-wire DC																		
Supply voltage V_s	15 ... 30 V DC																		
Ripple	10 %																		
Sample time	1 ms																		
Resolution typ.	0.05 mm																		
Linearity typ.	0.3 mm																		
Repeat accuracy typ.	0.1 mm																		
Travel speed	Max. 3 m/s																		
Analogue output	Current	4 ... 20 mA																	
	Voltage	0 ... 10 V																	
Overload protection	✓																		
Short-circuit protection	✓																		
Reverse polarity protection	✓																		
Max. load resistance, current output	500 Ω																		
Min. load resistance, voltage input	2 kΩ																		
Idle current typ.	25 mA																		
EMC	According to EN 60947-5-7																		
Connection type	Cable, PUR, 2 m																		
	Cable with plug, M8 x 1, PUR, 300 mm																		
Enclosure rating	IP 67																		
Shock/vibration stress	30 g, 11 ms/10 ... 55 Hz, 1 mm																		
Ambient temperature	-20 ... +70 °C																		
Housing material	PA reinforced																		
Display LED (Functionel display)	Yellow																		

Order information	
Type	Order no.
MPS-032TSTPO	1045666
MPS-032TSTUO	1045667
MPS-064TSTPO	1045668
MPS-064TSTUO	1045669
MPS-096TSTPO	1045670
MPS-096TSTUO	1045671
MPS-128TSTPO	1045672
MPS-128TSTUO	1045673
MPS-160TSTPO	1050685
MPS-160TSTUO	1050740
MPS-192TSTPO	1047728
MPS-192TSTUO	1050738
MPS-224TSTPO	1050686
MPS-224TSTUO	1050741
MPS-256TSTPO	1050551
MPS-256TSTUO	1050739

Great Britain
 Phone +44 (0)1727 83 11 21
 E-Mail info@sick.co.uk

USA
 Phone +1(952) 941-6780
 tollfree +1-800-325-7425
 E-Mail info@sickusa.com

Australia
 Phone +61 3 9497 4100
 tollfree +1800 33 48 02
 E-Mail sales@sick.com.au

More representatives and agencies in all major industrial nations at www.sick.com

SICK
 Sensor Intelligence.