

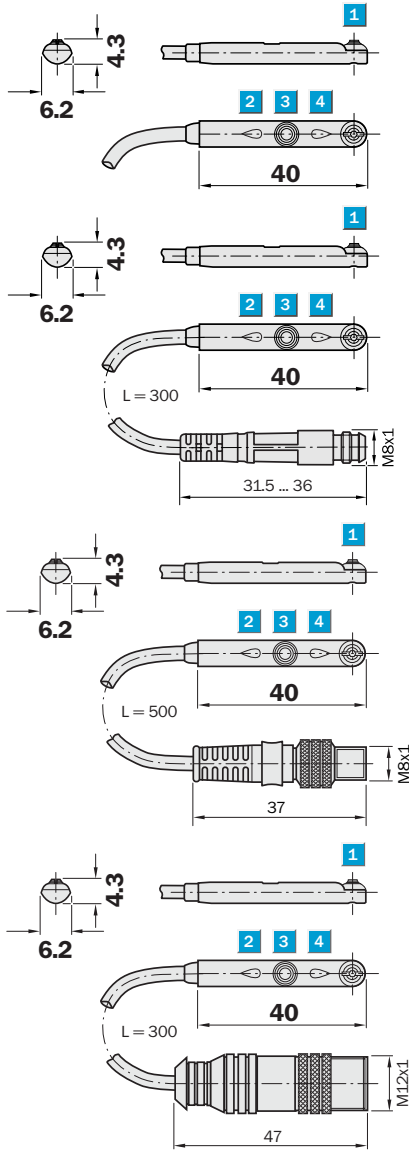
Detection area
0 ... 50 mm

Magnetic cylinder sensor

- Varied applications, e.g. defining end positions on short lifting cylinders or detecting intermediate positions
- Half the wiring
- Only one slot is occupied
- Compact housing, simple mounting from above
- Simple 2-point teach-in



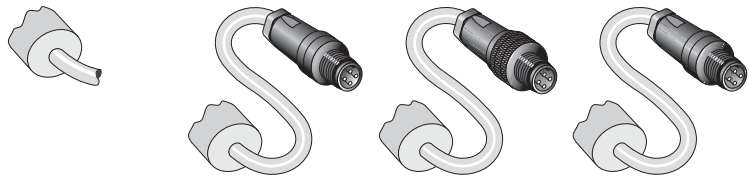
Dimensional drawing



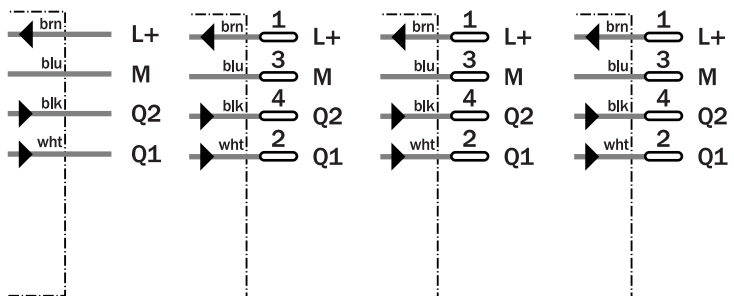
- 1 Mounting screw
- 2 LED indicator
- 3 Teach button
- 4 LED indicator

Connection type

MZ2Q-FTZPS-KU0 MZ2Q-FTZPS-KP0 MZ2Q-FTZPS-KR0 MZ2Q-FTZPS-KQ0



4 x 0.14 mm² M8, 4-pin M8, 4-pin, w. kn scr. M12, 4-pin



Accessories
Connector, M12, 4-pin
Connector, M8, 4-pin
Mounting systems

Technical specifications		MZ2Q-	FTZPS-KPO	FTZPS-KQ0	FTZPS-KRO	FTZPS-KU0						
Detection area from ... to	0 ... 50 mm											
Teach-in	✓											
Electrical configuration	DC 4-wire											
Supply voltage V_s	DC 12 ... 30 V											
Ripple U _{pp}	≤ 10 %											
Voltage drop U _d	≤ 2.2 V											
Power consumption	≤ 15 mA ¹⁾											
Continuous current I_a	≤ 100 mA											
Hysteresis H, of s _r	4 mm											
Repeatability R	≤ 0.1 mT (U _b and T _a constant)											
EMC	According to EN 60947-5-2											
Switching output	PNP											
Output function	Normally open											
Connection type	Cable with plug, M8, 4-pin, PUR, 0.3 m											
	Cable with plug, M12, 4-pin, PUR, 0.3 m											
	Cable with plug, M8, 4-pin, w. knurled screws, PUR, 0.5 m											
	Cable, PUR, 2 m											
Enclosure rating	IP 67 ²⁾											
Wire-break protection	✓											
Short-circuit protection	✓ ³⁾											
Reverse polarity protection	✓											
Power-up pulse suppression	✓											
Shock/vibration stress	30 g, 11 ms/10 ... 55 Hz, 1 mm											
Ambient temperature T _a	-20 °C ... +75 °C											
Housing material	Plastic											

¹⁾ without load

²⁾ according to EN 60529

³⁾ (pulsed)

Ordering information

Type	Part Number
MZ2Q-FTZPS-KPO	1 029 846
MZ2Q-FTZPS-KQ0	1 041 323
MZ2Q-FTZPS-KRO	1 041 322
MZ2Q-FTZPS-KU0	1 029 845