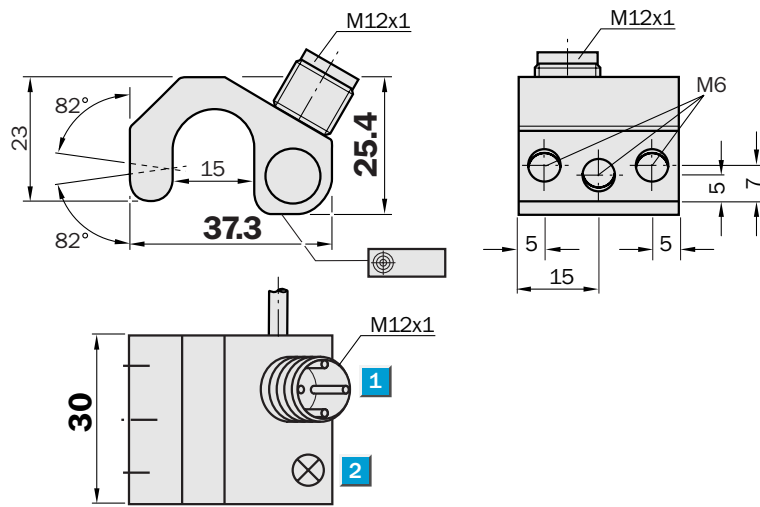
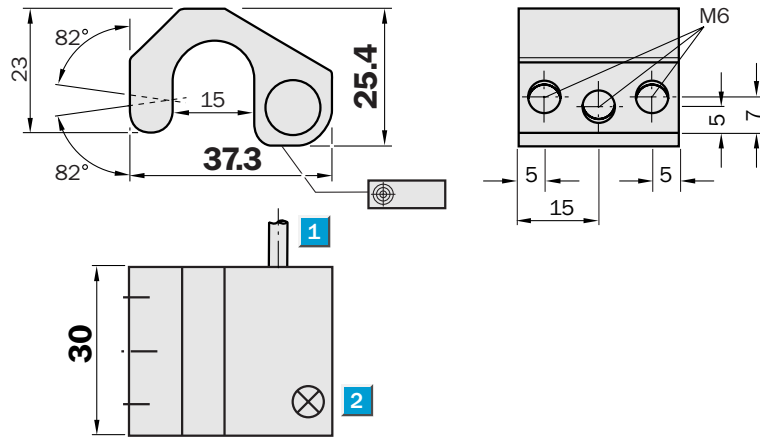


**for integrated profile cylinders**  
Magnetic cylinder sensor

- Mounting on integrated profile with max. width of 14 mm
- High repeat accuracy
- Solid aluminium housing with integrated mounting claw
- Cable or connector
- LED status indicator

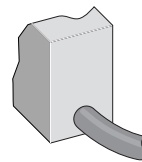
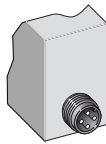
**Dimensional drawing**



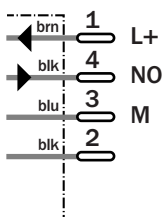
- 1 Connection
- 2 Display LED

**Connection type**

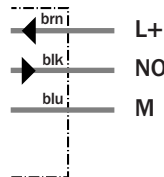
MZP3-03VPS-ACO    MZP3-03VPS-AUO    MZP3-03VPS-AUO



M12, 4-pin



3 x 0.25 mm<sup>2</sup>



**See chapter Accessories**

Connector, M12, 4-pin

Technical data		MZP3-	03VPS -ACO	03VPS -AUO									
Sensing face	Front												
<b>Electrical configuration</b>	DC 3-wire												
<b>Supply voltage <math>V_s</math></b>	DC 10 ... 30 V												
Response sensitivity	$\leq 3$ mT												
Residual ripple $V_{pp}$	$\leq 10$ % <sup>1)</sup>												
Voltage drop $V_d$	$\leq 1.5$ V <sup>2)</sup>												
Power consumption	10 mA <sup>3)</sup>												
<b>Continuous current <math>I_a</math></b>	$\leq 300$ mA												
Time delay before availability $t_v$	$\leq 2$ ms												
Hysteresis H, of $s_r$	$\leq 1$ mm												
Repeatability R	$\leq 0.1$ mm ( $U_b$ and $T_a$ constant)												
EMC	According to EN 60947-5-2												
<b>Switching output</b>	PNP												
<b>Output function</b>	Normally open												
<b>Connection type</b>	Cable, PVC/PUR, 2 m												
	Connector, M12, 4-pin												
Enclosure rating	IP 67 <sup>4)</sup>												
Max. switching frequency	5,000 Hz												
<b>Wire-break protection</b>	✓												
<b>Short circuit protection</b>	✓ <sup>5)</sup>												
<b>Reverse polarity protection</b>	✓												
<b>Power-up pulse suppression</b>	✓												
Shock/vibration stress	30 g, 11 ms / 10 ... 55 Hz, 1 mm												
Ambient operating temperature $T_a$	-25 °C ... +75 °C												
Housing material	Aluminium, plastic												

1) of  $U_b$ 2) at  $I_a$  max

3) without load

4) according to EN 60 529

5) (pulsed)

**Order information**

Type	Order no.
MZP3-03VPS-ACO	7 900 612
MZP3-03VPS-AUO	7 900 610