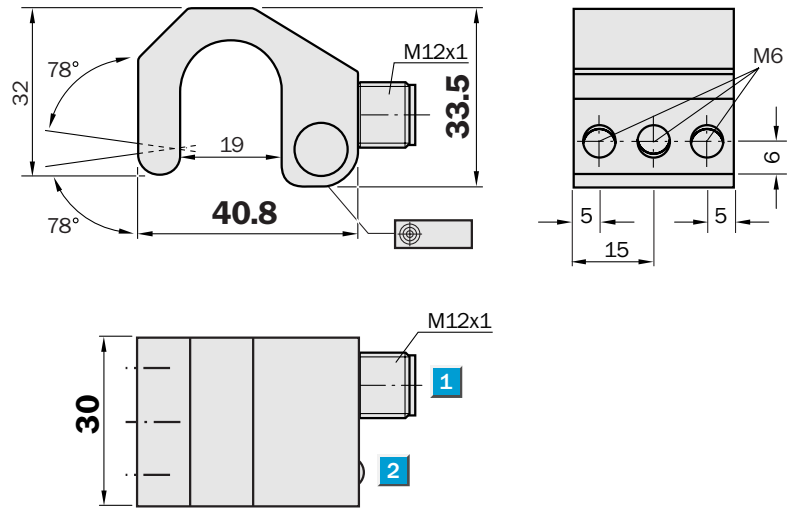
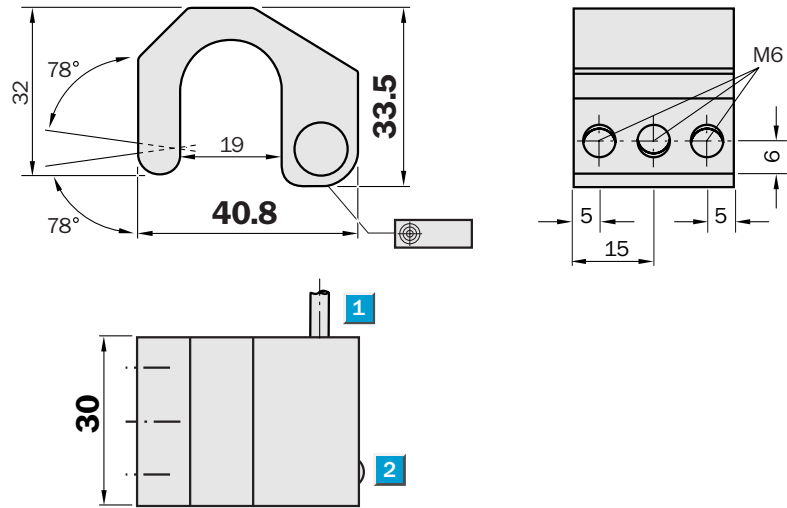


for integrated profile cylinders
Magnetic cylinder sensor

- Mounting on integrated profile with max. width of 18 mm
- High repeat accuracy
- Solid aluminium housing with integrated mounting claw
- Cable or connector
- LED status indicator

Dimensional drawing



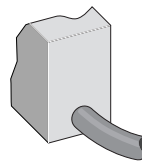
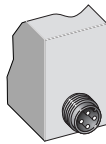
- 1 Connection
- 2 Display LED



Connection type

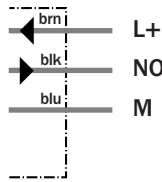
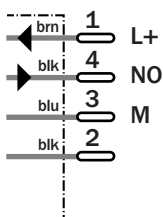
MZP4-03VPS-ACO

MZP4-03VPS-AUO



M12, 4-pin

3 x 0.25 mm²



See chapter Accessories

Connector, M12, 4-pin

Technical data		MZP4-	03VPS -ACO	03VPS -AUO									
Sensing face	Front												
Electrical configuration	DC 3-wire												
Supply voltage V_s	DC 10 ... 30 V												
Response sensitivity	3 mT												
Residual ripple V_{pp}	$\leq 10\%$ ¹⁾												
Voltage drop V_d	$\leq 1.5\text{ V}$ ²⁾												
Power consumption	$\leq 10\text{ mA}$ ³⁾												
Continuous current I_a	$\leq 300\text{ mA}$												
Time delay before availability t_v	$\leq 2\text{ ms}$												
Hysteresis H, of s_r	$\leq 1\text{ mm}$												
Repeatability R	$\leq 0.1\text{ mm}$ (U_b and T_a constant)												
EMC	According to EN 60947-5-2												
Switching output	PNP												
Output function	Normally open												
Connection type	Cable, PVC/PUR, 2 m												
	Connector, M12, 4-pin												
Enclosure rating	IP 67 ⁴⁾												
Max. switching frequency	5,000 Hz												
Wire-break protection	✓												
Short circuit protection	✓ ⁵⁾												
Reverse polarity protection	✓												
Power-up pulse suppression	✓												
Shock/vibration stress	30 g, 11 ms / 10 ... 55 Hz, 1 mm												
Ambient operating temperature T_a	-25 °C ... +75 °C												
Housing material	Aluminium, plastic												

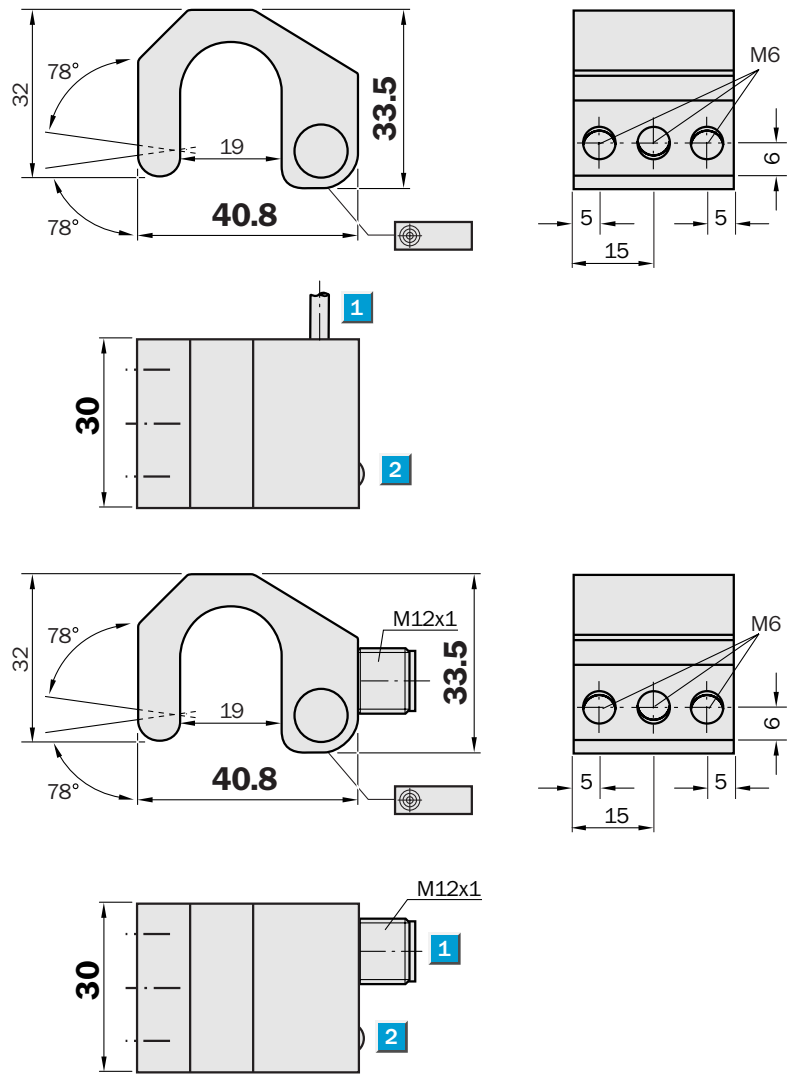
¹⁾ of U_b ²⁾ at I_a max³⁾ without load⁴⁾ according to EN 60 529⁵⁾ (pulsed)**Order information**

Type	Order no.
MZP4-03VPS-ACO	7 900 616
MZP4-03VPS-AUO	7 900 614

for integrated profile cylinders
Magnetic cylinder sensor

- Mounting on integrated profile with max. width of 18 mm
- NAMUR to EN 60 947-5-6
- High repeat accuracy
- Solid aluminium housing with integrated mounting claw
- Cable or connector
- Classification TÜV 99 ATEX 1398
Ex II 2G EEx ib IIC T6
- LED status indicator

Dimensional drawing

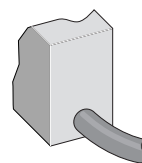
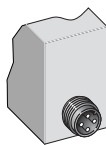


- 1 Connection
- 2 Display LED

Connection type

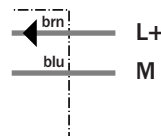
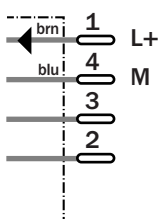
MZP4-03V-N-ACO

MZP4-03V-N-AWO



M12, 4-pin

2 x 0.34 mm²



See chapter Accessories

Connector, M12, 4-pin

Switching units



Technical data		MZP4-03V-	N-ACO	N-AWO									
Sensing face	Front												
Electrical configuration	NAMUR 2-wire												
Supply voltage V_s	DC 5 ... 25 V												
Nominal voltage V_n	DC 8.2 V												
Response sensitivity	≤ 3 mT												
Residual ripple V_{pp}	$\leq 5\%$ ¹⁾												
Power consumption, attenuated	≥ 2.5 mA												
Power consumption, unattenuated	≤ 1 mA												
Internal capacitance	≤ 15 nF												
Internal inductance	≤ 25 μ H												
Cable resistance	≤ 50 Ohm												
Time delay before availability t_v	≤ 2 ms												
Hysteresis H, of s_r	≤ 1 mm												
Repeatability R	≤ 0.1 mm (U_b and T_a constant)												
Temperature drift, of s_r	$\pm 0,005$ mm / °C												
EMC	Accroding to EN 60 947-5-6												
Switching output	Control current dependent on switching ²⁾												
Output function	NAMUR												
Connection type	Cable, PVC, 2 m												
	Connector, M12, 4-pin												
Enclosure rating	IP 67 ³⁾												
Max. switching frequency	5,000 Hz												
Short-circuit protected	✓												
Reverse polarity protected	✓												
Shock/vibration stress	30 g, 11 ms / 10 ... 55 Hz, 1 mm												
Ambient operating temperature T_a	-25 °C ... +70 °C												
Housing material	Aluminium, plastic												

¹⁾ of U_b ²⁾ according to EN 60 947-5-6³⁾ according to EN 60 529

Max. data for connecting isolating unit EN 2 Ex

or other approved isolating amplifier:

Short circuit current I_{Kmax}	30 mA
No load voltage U_0	16 V
Power loss P_{max}	75 mW

Order information

Type	Order no.
MZP4-03V-N-ACO	7 901 330
MZP4-03V-N-AWO	7 901 329